

Hybrid Stepper Motor

57BYGHM Series

Without Pulse-Torque Characteristics

General Specifications

Step Accuracy	± 5%
Temperature Rise	80°C Max
Ambient Temperature Range	-20°C ~ +50°C
Insulation Resistance	100 MΩ Min. 500 VDC
Dielectric Strength	500 VAC 1 minute

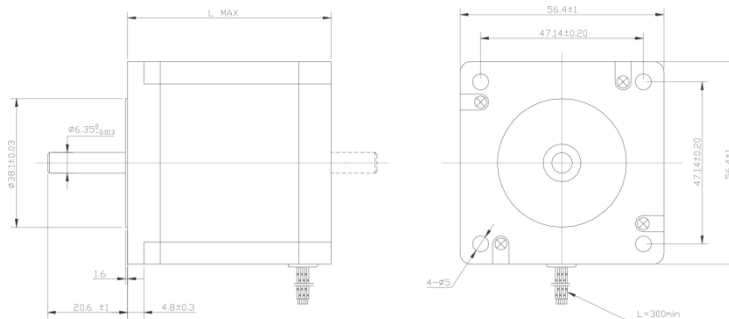
Customized solutions on request.



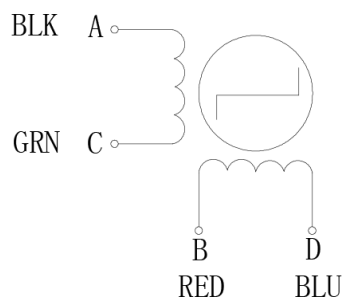
Electrical Specifications

Model	Step Angle	Motor Length	Rate Voltage	Rate Current	Phase Resistance	Phase Inductance	Holding Torque	Detent Torque	Rotor Inertia	Lead Wire	Motor Weight
	°	L (mm)	V	A	Ω	mH	mNm	mNm	gcm ²	NO.	kg
57BYGHM004	0.9	41	2	2.8	0.7	2.9	294.2	20.6	120	4	0.45
57BYGHM005	0.9	41	5	1	5	15.2	343.2	20.6	120	4	0.45
57HYGHM012	0.9	41	4.3	1.1	3.6	6.1	294.2	20.6	120	6	0.45
57BYGHM201	0.9	51	6.8	1.7	4	14	882.6	25.5	240	4	0.56
57BYGHM203	0.9	51	12.1	0.38	32	40	539.4	25.5	240	6	0.56
57BYGHM401	0.9	56	7.4	1	7.4	15	715.9	39.2	300	6	0.7
57BYGHM403	0.9	56	2.7	3	0.9	2	706.1	39.2	300	6	0.7
57BYGHM405	0.9	56	16.2	1.2	13.5	49	686.5	39.2	300	4	0.7
57BYGHM500	0.9	67	2.4	3	0.8	1.7	686.5	49.0	360	6	0.82
57BYGHM601	0.9	78	8.6	1	8.6	20	1274.9	66.7	480	6	1
57BYGHM604	0.9	78	3.2	2.8	1.13	5	1471.0	66.7	480	4	1

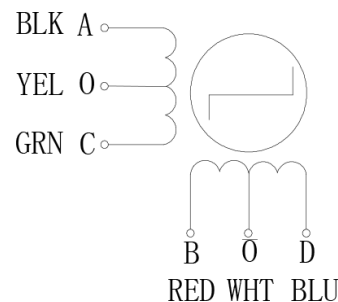
Mechanical Dimensions



Wiring Diagram



4 Leads



6 Leads